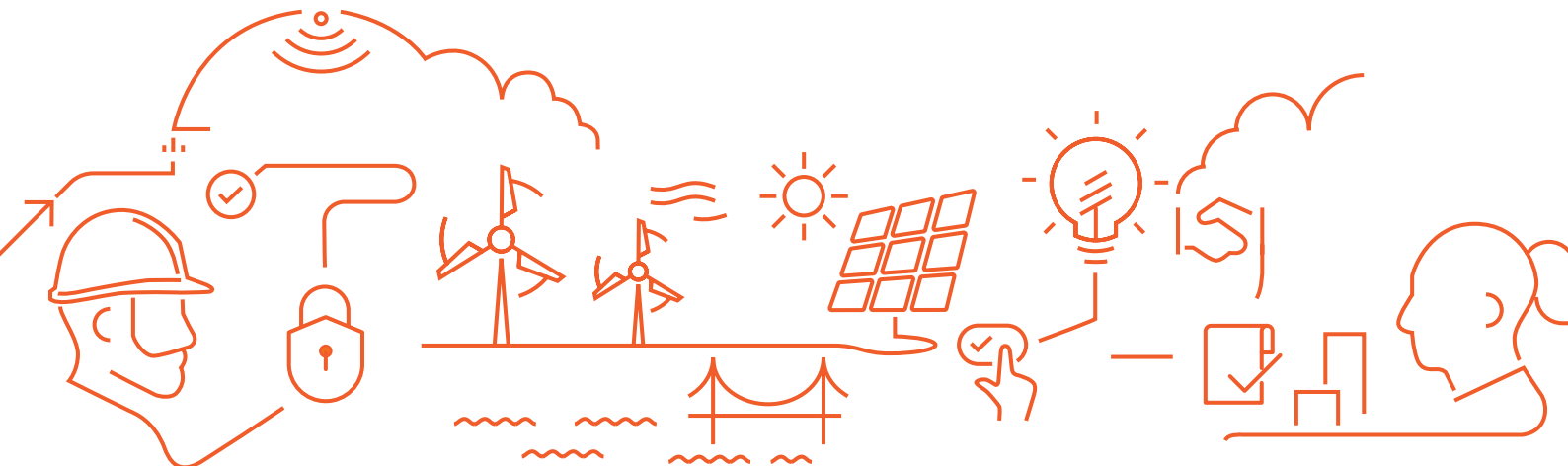


URCAB[®]

urban cabinets





Applications

Cabinets used in all types of private or public telecommunications, electricity, water, gas, traffic lights and other industries.

Materials

Made from unsaturated polyester reinforced fiberglass and self-extinguishing additives RAL 7035.

Applicable standards

IEC 62208

Characteristics

- IP44/IP65, IK10
- Adjustable to equipment on a mounting plate or rack.
- Door opening: 130°/180°.
- Ambient temperature from -25°C to +40°C.
- Various measurements.
- Various accessories.
- Thermal dissipation: see page 2.

Halogen free.



RoHS
COMPLIANT

UK
CA



Assembly instructions



- Interior or exterior application, surface, integrated or semi-integrated assembly.
- Ground or base fixing.
- The maximum weight of the equipment inside the cabinet should not exceed 280 kg/m³.
- No load shall be applied on the door.





Dimensions



(*) Thermal dissipation.

The references are incomplete. See the following pages for complete references.
All dimensions in mm.





Range IP65 IK10



Reference	Ht.(A)	Wd.(B)	D.(C)	Designation	RRP	X	X
25D00086165FXX	805			URCAB CB DIN00, height 860mm, internal lock, IP65	501,24€	T + 42,60€	K + 0,00€
25D00111165FXX	1055	480		URCAB CB DIN00, height 1110mm, internal lock, IP65	605,16€	T + 42,60€	K + 0,00€
25D00126165FXX	1205			URCAB CB DIN00, height 1260mm, internal lock, IP65	714,45€	T + 42,60€	K + 0,00€
25D0A086165FXX	805			URCAB CB DIN0, height 860mm, internal lock, IP65	512,29€	T + 44,80€	K + 0,00€
25D0A111165FXX	1055	615		URCAB CB DIN0, height 1110mm, internal lock, IP65	618,73€	T + 44,80€	K + 0,00€
25D0A126165FXX	1205		335	URCAB CB DIN0, height 1260mm, internal lock, IP65	734,46€	T + 44,80€	K + 0,00€
25D1A086165FXX	805			URCAB CB DIN1, height 860mm, internal lock, IP65	553,14€	T + 50,90€	K + 0,00€
25D1A111165FXX	1055	810		URCAB CB DIN1, height 1110mm, internal lock, IP65	664,34€	T + 50,90€	K + 0,00€
25D1A126165FXX	1205			URCAB CB DIN1, height 1260mm, internal lock, IP65	816,26€	T + 50,90€	K + 0,00€
25D2A086165FXX	805			URCAB CB DIN2, height 860mm, internal lock, IP65	858,93€	T + 57,80€	K + 0,00€
25D2A111165FXX	1055	1140		URCAB CB DIN2, height 1110mm, internal lock, IP65	996,82€	T + 57,80€	K + 0,00€
25D2A126165FXX	1205			URCAB CB DIN2, height 1260mm, internal lock, IP65	1.204,69€	T + 57,80€	K + 0,00€

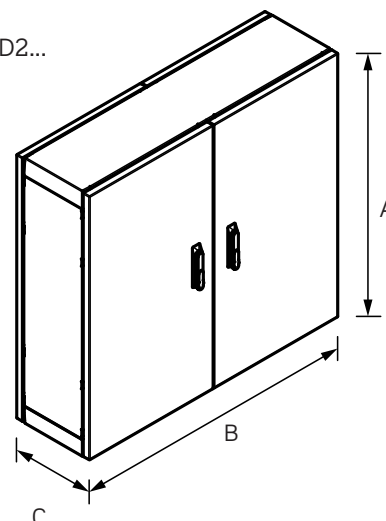
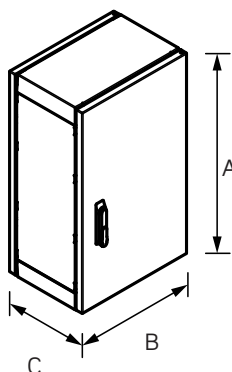
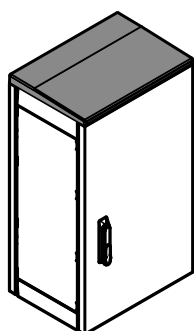
All dimensions in mm.

Tax at the legal rate is added to the prices indicated.

25D00086165FXX

- K - Kit
- O - Assembled
- T - With canopy (+30 mm height)
- O - Without canopy

- 25D00...
- 25D0...
- 25D1...
- 25D2...





Range IP44 IK10

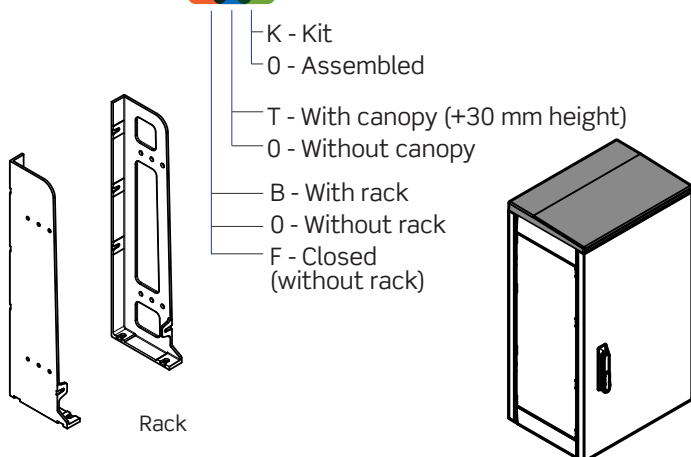


Reference	Ht.(A)	Wd.(B)	D.(C)	Designation	RRP	X	X	X
25D00086I44XXX	834			URCAB CB DIN00, height 860mm, internal lock, IP44	446,66€	B + 38,00€ F + 0,00€	T + 42,60€	K + 0,00€
25D00111I44XXX	1084	480		URCAB CB DIN00, height 1110mm, internal lock, IP44	534,99€	B + 38,00€ F + 0,00€	T + 42,60€	K + 0,00€
25D00126I44XXX	1234			URCAB CB DIN00, height 1260mm, internal lock, IP44	627,88€	B + 38,00€ F + 0,00€	T + 42,60€	K + 0,00€
25D0A086I44XXX	834			URCAB CB DIN0, height 860mm, internal lock, IP44	453,11€	B + 38,00€ F + 0,00€	T + 44,80€	K + 0,00€
25D0A111I44XXX	1084	615		URCAB CB DIN0, height 1110mm, internal lock, IP44	543,58€	B + 38,00€ F + 0,00€	T + 44,80€	K + 0,00€
25D0A126I44XXX	1234		335	URCAB CB DIN0, height 1260mm, internal lock, IP44	641,95€	B + 38,00€ F + 0,00€	T + 44,80€	K + 0,00€
25D1A086I44XXX	834			URCAB CB DIN1, height 860mm, internal lock, IP44	498,62€	B + 38,00€ F + 0,00€	T + 50,90€	K + 0,00€
25D1A111I44XXX	1084	810		URCAB CB DIN1, height 1110mm, internal lock, IP44	593,14€	B + 38,00€ F + 0,00€	T + 50,90€	K + 0,00€
25D1A126I44XXX	1234			URCAB CB DIN1, height 1260mm, internal lock, IP44	722,27€	B + 38,00€ F + 0,00€	T + 50,90€	K + 0,00€
25D2A086I44XXX	834			URCAB CB DIN2, height 860mm, internal lock, IP44	766,76€	B + 38,00€ F + 0,00€	T + 57,80€	K + 0,00€
25D2A111I44XXX	1084	1140		URCAB CB DIN2, height 1110mm, internal lock, IP44	883,96€	B + 38,00€ F + 0,00€	T + 57,80€	K + 0,00€
25D2A126I44XXX	1234			URCAB CB DIN2, height 1260mm, internal lock, IP44	1 060,65€	B + 38,00€ F + 0,00€	T + 57,80€	K + 0,00€

All dimensions in mm.

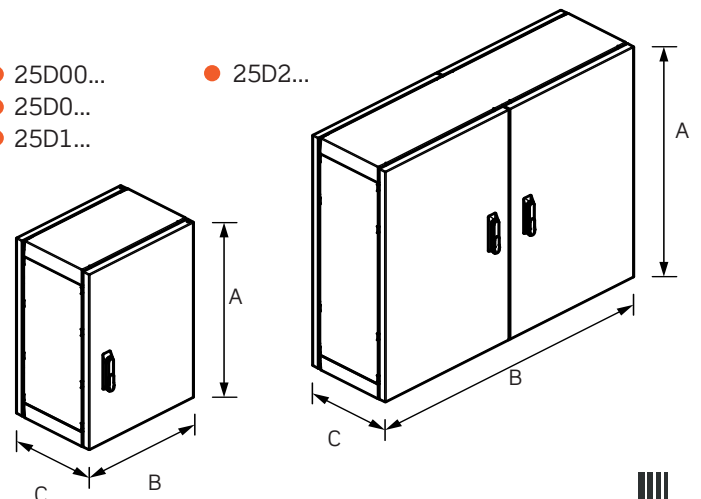
Tax at the legal rate is added to the prices indicated.

25D00086I44XXX



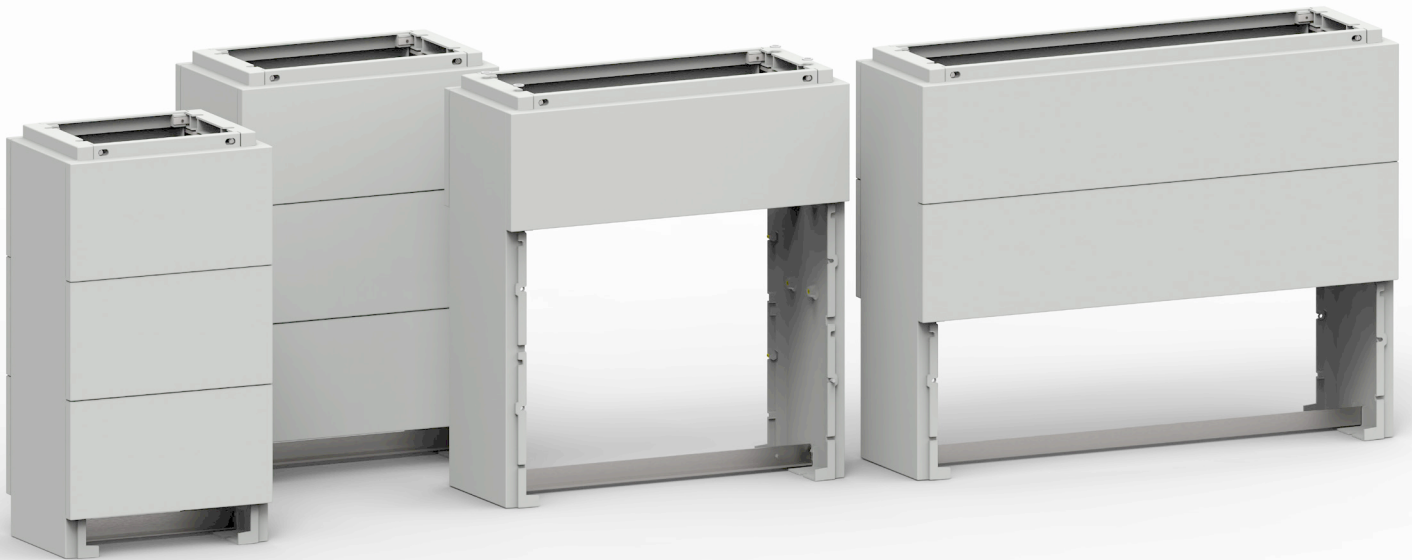
- 25D00...
- 25D0...
- 25D1...

- 25D2...





Base



Reference	Ht.(A)	Wd.(B)	D.(C)	Designation	RRP
25D00M1	900	480	335	Base for URCAB CB DIN00 with 1 front panel	195,84€
25D00M2				Base for URCAB CB DIN00 with 2 front panels	298,61€
25D00M3				Base for URCAB CB DIN00 with 3 front panels	398,51€
25D0AM1	900	615	335	Base for URCAB CB DIN0 with 1 front panel	200,43€
25D0AM2				Base for URCAB CB DIN0 with 2 front panels	307,19€
25D0AM3				Base for URCAB CB DIN0 with 3 front panels	413,94€
25D1AM1	900	810	335	Base for URCAB CB DIN1 with 1 front panel	224,75€
25D1AM2				Base for URCAB CB DIN1 with 2 front panels	350,69€
25D1AM3				Base for URCAB CB DIN1 with 3 front panels	476,64€
25D2AM1	900	1140	335	Base for URCAB CB DIN2 with 1 front panel	253,49€
25D2AM2				Base for URCAB CB DIN2 with 2 front panels	408,17€
25D2AM3				Base for URCAB CB DIN2 with 3 front panels	562,86€

All dimensions in mm.

Tax at the legal rate is added to the prices indicated.



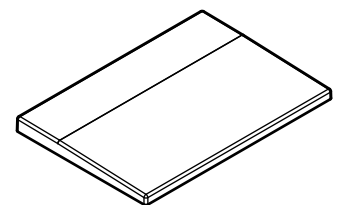
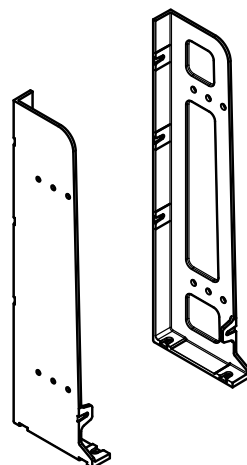
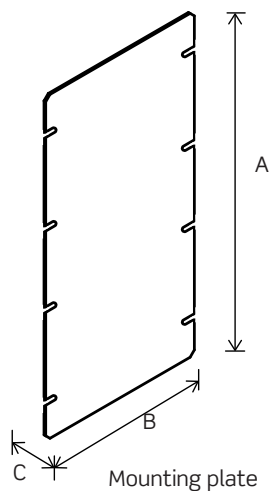


Accessories

Reference	Ht.(A)	Wd.(B)	D.(C)	Designation	RRP
25D00086PM	700			Polyester mounting plate for URCAB CB DIN00 and height 860mm	42,60€
25D00111PM	950	350		Polyester mounting plate for URCAB CB DIN00 and height 1110mm	60,62€
25D00126PM	1100			Polyester mounting plate for URCAB CB DIN00 and height 1260mm	62,05€
25D0A086PM	700			Polyester mounting plate for URCAB CB DIN0 and height 860mm	61,03€
25D0A111PM	950	485		Polyester mounting plate for URCAB CB DIN0 and height 1110mm	88,14€
25D0A126PM	1100			Polyester mounting plate for URCAB CB DIN0 and height 1260mm	89,34€
25D1A086PM	700		4	Polyester mounting plate for URCAB CB DIN1 and height 860mm	114,74€
25D1A111PM	950	680		Polyester mounting plate for URCAB CB DIN1 and height 1110mm	115,79€
25D1A126PM	1100			Polyester mounting plate for URCAB CB DIN1 and height 1260mm	117,31€
25D2A086PM	700			Polyester mounting plate for URCAB CB DIN2 and height 860mm	60,62€
25D2A111PM	950	440		Polyester mounting plate for URCAB CB DIN2 and height 1110mm	88,14€
25D2A126PM	1100			Polyester mounting plate for URCAB CB DIN2 and height 1260mm	89,34€
25D00086PMM	700			Metal mounting plate for URCAB CB DIN00 and height 860mm	62,72€
25D00111PMM	950	350		Metal mounting plate for URCAB CB DIN00 and height 1110mm	80,73€
25D00126PMM	1100			Metal mounting plate for URCAB CB DIN00 and height 1260mm	95,29€
25D0A086PMM	700			Metal mounting plate for URCAB CB DIN0 and height 860mm	80,73€
25D0A111PMM	950	485		Metal mounting plate for URCAB CB DIN0 and height 1110mm	104,60€
25D0A126PMM	1100			Metal mounting plate for URCAB CB DIN0 and height 1260mm	131,72€
25D1A086PMM	700		3	Metal mounting plate for URCAB CB DIN1 and height 860mm	116,20€
25D1A111PMM	950	680		Metal mounting plate for URCAB CB DIN1 and height 1110mm	151,73€
25D1A126PMM	1100			Metal mounting plate for URCAB CB DIN1 and height 1260mm	180,16€
25D2A086PMM	700			Metal mounting plate for URCAB CB DIN2 and height 860mm	80,25€
25D2A111PMM	950	440		Metal mounting plate for URCAB CB DIN2 and height 1110mm	104,60€
25D2A126PMM	1100			Metal mounting plate for URCAB CB DIN2 and height 1260mm	131,72€
25DBT				Rack for URCAB CB (applicable on an open basis)	44,75€
25D00TEJ				Canopy for URCAB CB DIN00	50,15€
25D0ATEJ				Canopy for URCAB CB DIN0	52,75€
25D1ATEJ				Canopy for URCAB CB DIN1	60,00€
25D2ATEJ				Canopy for URCAB CB DIN2	68,00€
25D2A086SEP				Polyester separator for URCAB CB DIN 2 and height 860mm	43,35€
25D2A111SEP				Polyester separator for URCAB CB DIN 2 and height 1110mm	61,70€
25D2A126SEP				Polyester separator for URCAB CB DIN 2 and height 1260mm	64,35€

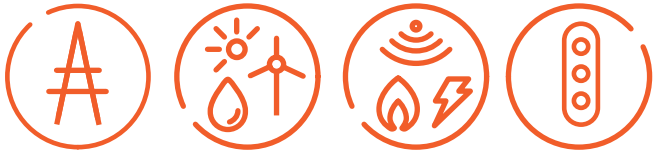
All dimensions in mm.

Tax at the legal rate is added to the prices indicated.

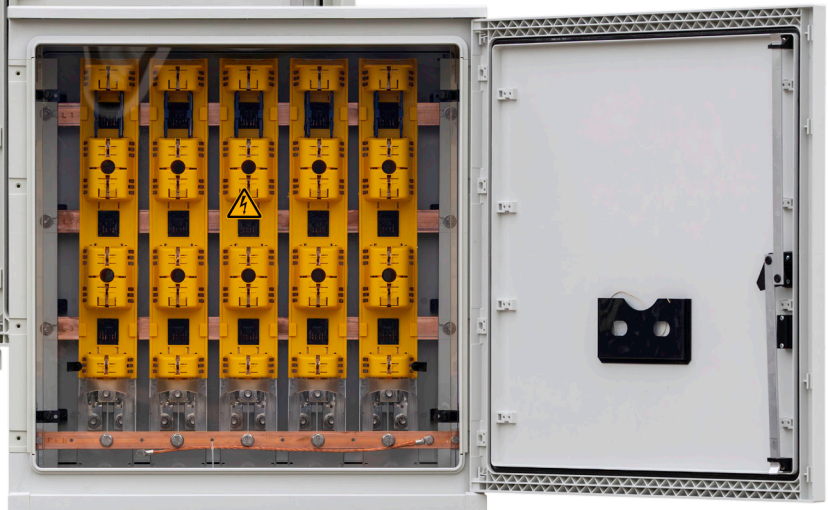


URCAB[®]

Distribution cabinets



25APE-D0-WP

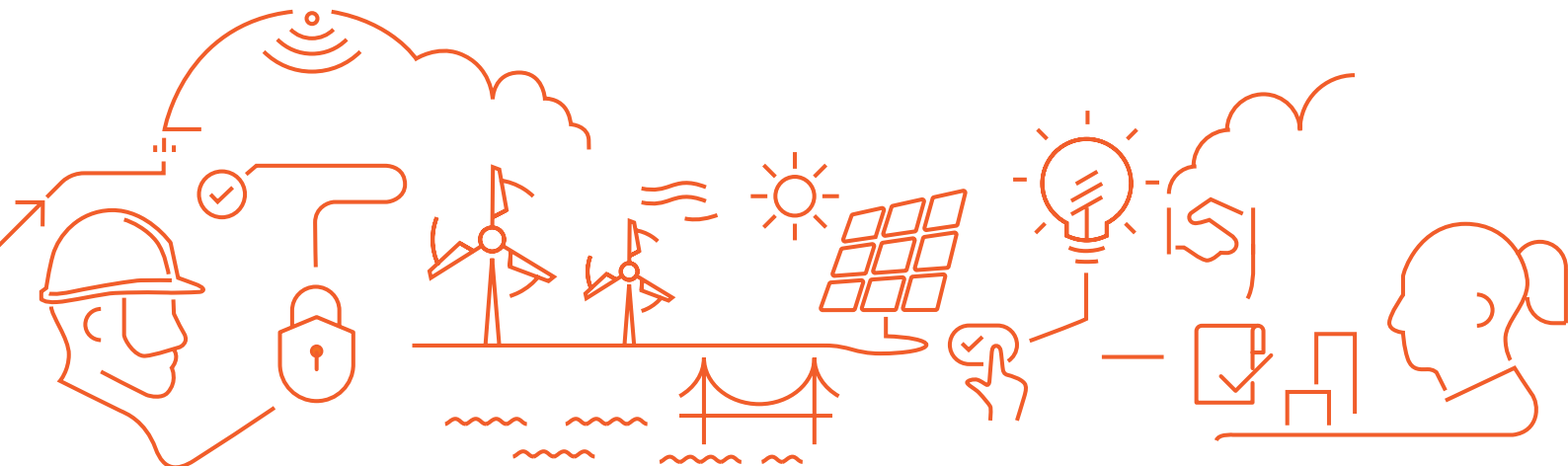


25APE-D1-XP

Q Qualified E-REDES
DMA-C62-801/N
Edition 4

Reference	Ht.(A)	Wd.(B)	D.(C)	Designation	RRP
25APE-D0-WP	860	615	335	Distribution cabinet type W PN	1 262,65€
25D0AM2	900	615	335	Base for URCAB CB DIN0 with 2 front panels	307,19€
25APE-D1-XP	860	810	335	Distribution cabinet type X PN	1 444,95€
25D1AM2	900	810	335	Base for URCAB CB DIN1 with 2 front panels	350,69€

All dimensions in mm. Tax at the legal rate is added to the prices indicated.





Applications

Cabinets used in low voltage underground networks for:

- functioning as a network interconnector;
- protection of branch lines from a main line;
- branch protection.

Materials

- Made from unsaturated polyester reinforced with fiberglass and self-extinguish additives RAL 7035.
- Polycarbonate protection barrier fixed at 4 points.
- Easy removable polyamide hinges.

Applicable standards

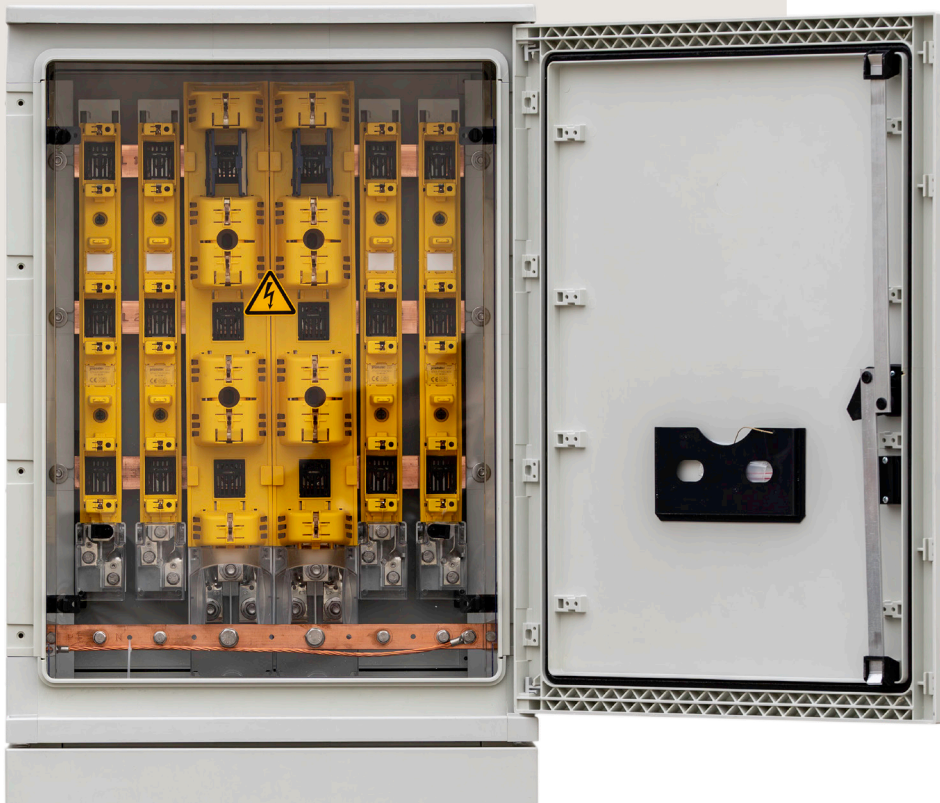
Q Qualified E-REDES
DMA-C62-801/N
Edition 4

DMA-C62-801/N e IEC 61439-5

Characteristics

- Class II insulation.
- Door with 3 point retractable lock and prepared for E-REDES European Profile cylinder.
- Nominal current: 400A.
- Frequency: 50Hz.
- Nominal voltage: 400V.
- IP44 IK10.

Halogen free.



Assembly Instructions

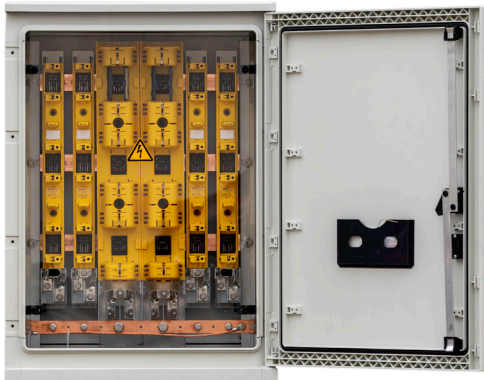


- Fixing directly to the polyester base.





25APE-D0-WP

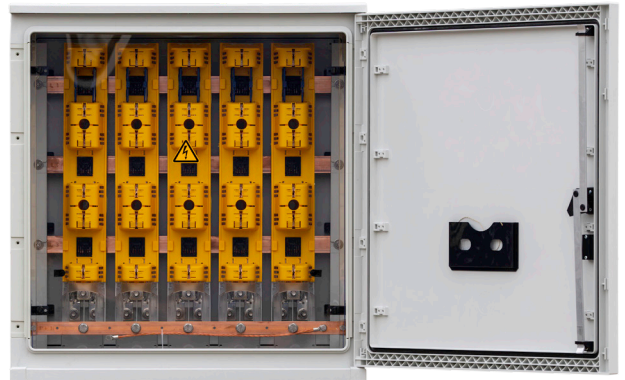


Vertical fuse rail T2/185mm IP20 (x2)
400A (qualificados E-REDES) - brand Pronotec

Vertical fuse rail T00/185mm IP20 (x4)
160A (qualified E-REDES) - brand Pronotec



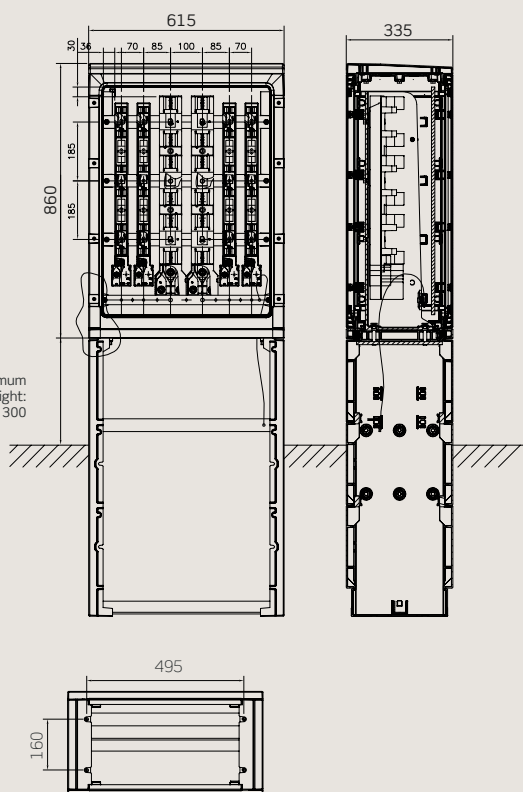
25APE-D1-XP



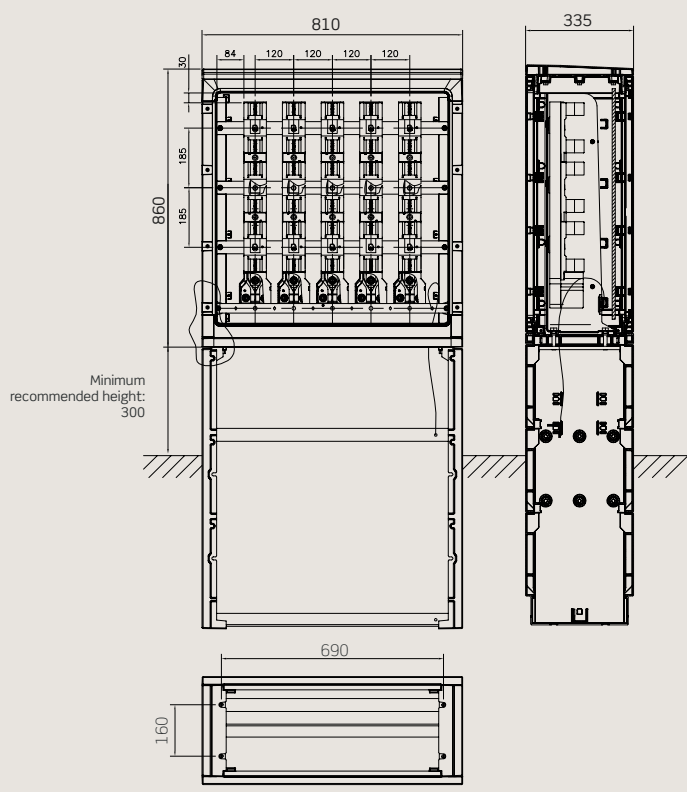
Vertical fuse rail T2/185mm IP20 (x5)
400A (qualified E-REDES) - brand Pronotec



25D0AM2



25D1AM2





+351 244 572 280

geral@al.pt
comercial@al.pt

Zona Industrial Casal da Lebre
Rua da Alemanha, Lote 6B
2430-028 Marinha Grande
PORTUGAL

WWW.AL.PT

